

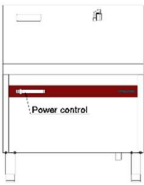
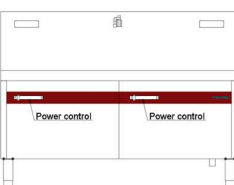
INDUCTION WOK

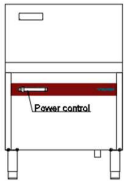
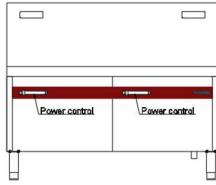
- High quality stainless steel #304, hairline finish body construction with solid top 1.5mm thickness.
- Powerful performance, high energy efficiency & quiet operation
- No open flame, no gas emission, reduces environmental pollution
- Electromagnetic heating up, thermal efficiency is over 90%.
- Microcomputer temperature control system for precise & safe control
- User friendly & easy for cleaning and no intensive maintenance required.
- High-grade ceramic concave glass for heavy duty performance and durability.
- Patented copper coil for powerful and uniform heat for better cooking.
- Empty pan detection auto shut-off.
- Over/under voltage/current protection
- Over heat and dry burning protection



- Soft start technology, automatic alarm device for safety operation.
- Waterproof display, anti-oil, water and, insect erosion design
- Ultra-long life magnetic sensor switch and PCB board for precise performance.
- IPX4 protection level with multiple protection

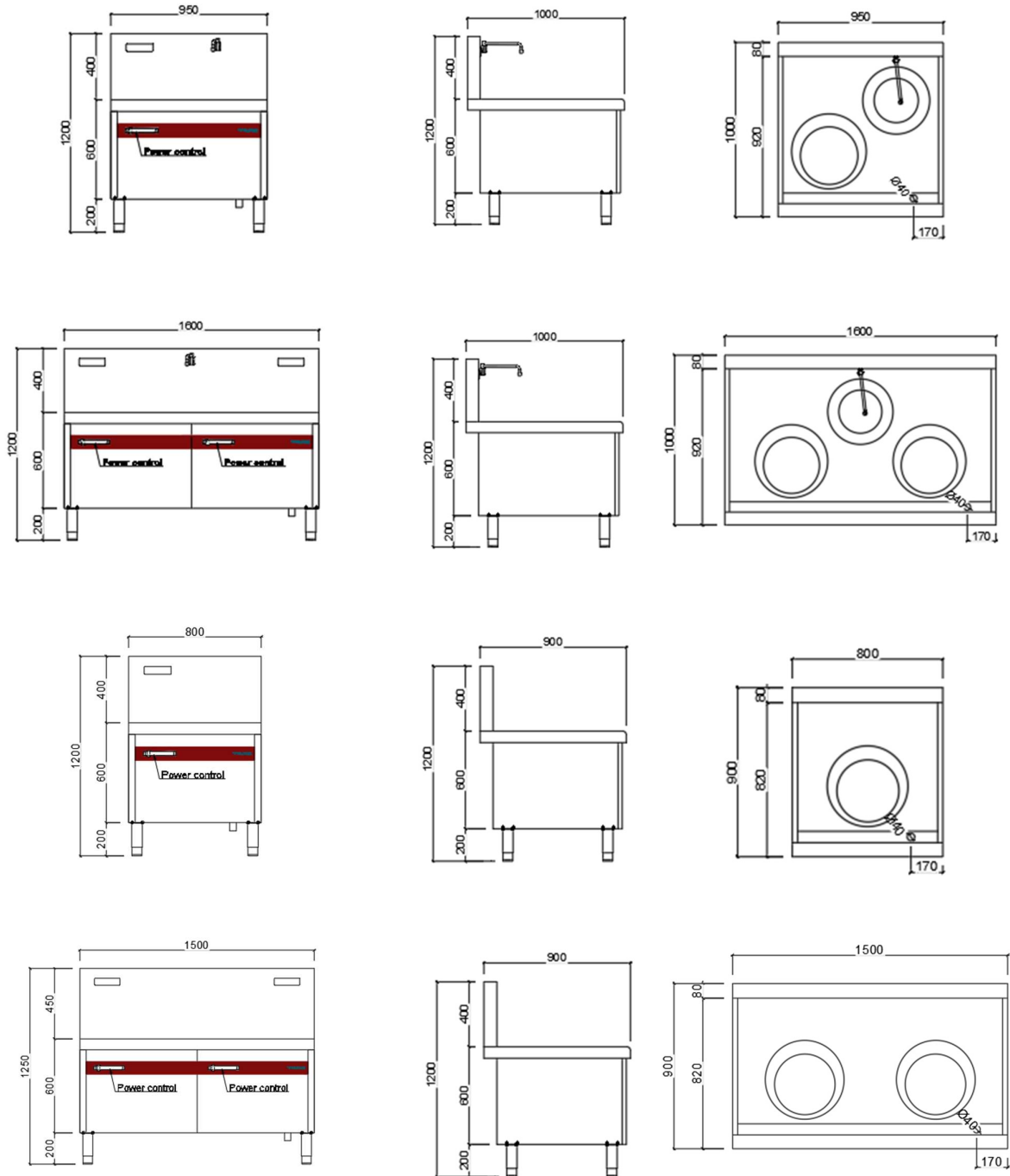
CONSTRUCTION & FEATURES

SERIES 1000MM WITH REAR POT		
Model	TIA-S100W1-R	TIA-S100W2-R
Dimension (mm)	950 x 1000 x 1200H	1600 x 1000 x 1200H
Power (kW)	1 x 15 kW	2 x 15 kW
Wok size (mm)	Ø300	Ø300
Voltage	380V/50Hz,3P	380V/50Hz,3P

SERIES 900MM W/O REAR POT		
Model	TIA-S90W1	TIA-S90W2
Dimension (mm)	800 x 900 x 1200H	1500 x 900 x 1200H
Power (kW)	1 x 15 kW	2 x 15 kW
(mm)	Ø300	Ø300
Voltage	380V/50Hz,3P	380V/50Hz,3P

SPECIFICATIONS

Induction Wok Ranges



TECHNICAL DRAWINGS



m: +65-9038-0875
e: sales@trutek.sg
w: www.trutek.sg

TRUTEK PTE. LTD
470 North Bridge Road, #5-12 Bugis Cube,
Singapore (188735)