
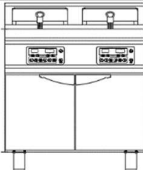



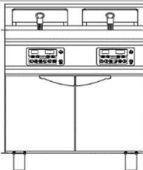
INDUCTION FRYER WITH AUTO LIFTING SYSTEM

- High quality stainless steel #304, hairline finish body construction with solid top 1.5mm thickness.
- Powerful performance, high energy efficiency & quiet operation
- Timer & temp control for safe cooking programs
- Induction coil is installed to outside tank bottom, no heating element or burner tube inside tank for even heat distribution, no burns, durability, hygiene and easy to clean.
- User and environmental friendly & easy for cleaning and no intensive maintenance required.
- Patented coper coil for powerful and uniform heat for better cooking.
- Over/under voltage/current protection
- Over heat and dry burning protection
- Soft start technology, automatic alarm device for safety operation.
- Waterproof display, anti-oil, water and, insect erosion design
- Ultra-long life magnetic sensor switch and PCB board for precise performance.
- Equipped with auto lifting system
- IPX4 protection level with multiple protection



CONSTRUCTION & FEATURES

SERIES 750MM		
Model	TIF-S75F400AL	TIF-S75F800-AL
Dimension (mm)	400 x 750 x 850H	800 x 750 x 850H
Power (kW)	1 x 8kW (12kW, 15kW optional)	2 x 8kW (12kW, 15kW optional)
Tank Capacity (L)	15L	30L
No. of VAT	1 big Vat or 2 small Vats	2 big Vats
Voltage	380V/50Hz, 3P	380V/50Hz, 3P

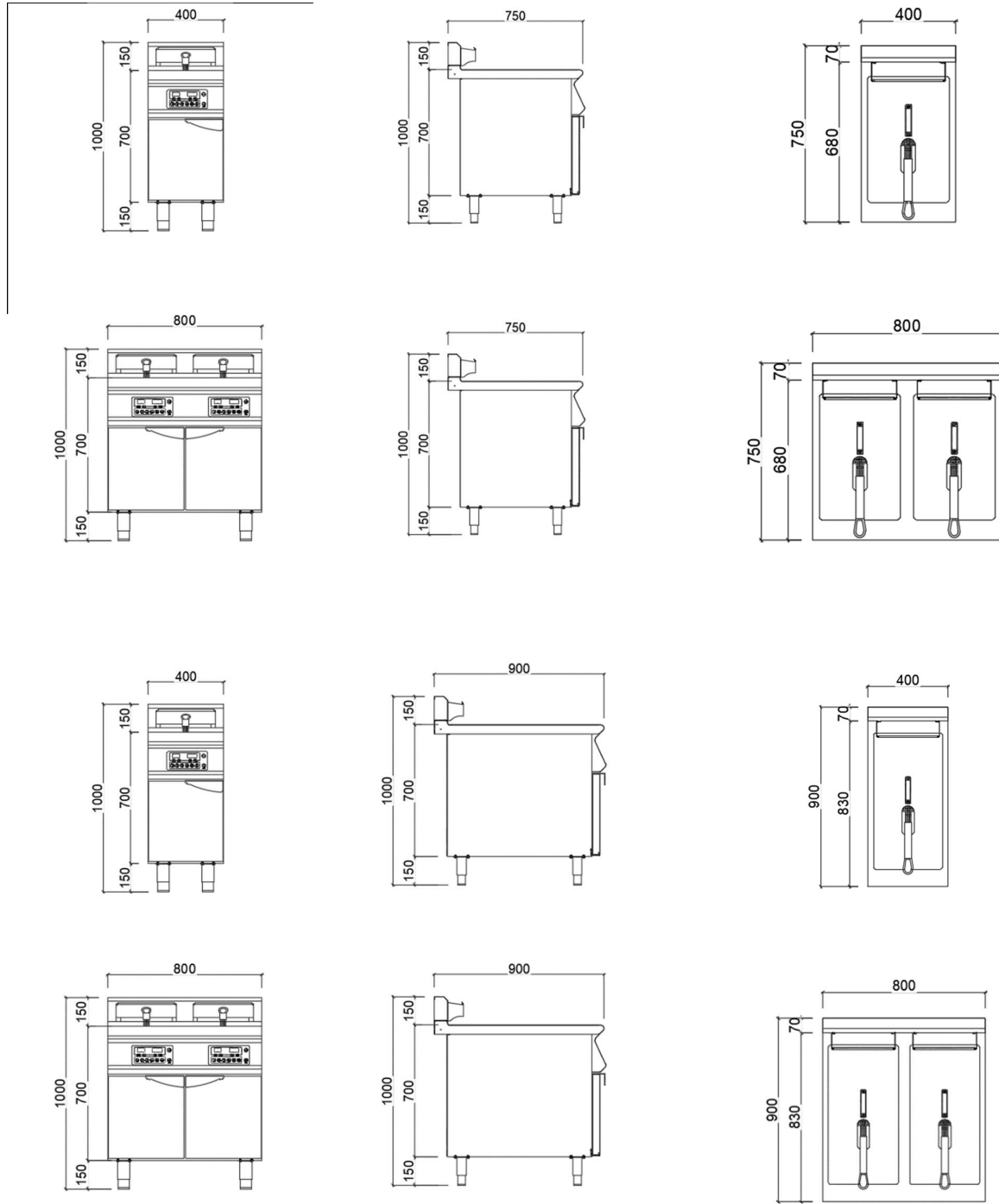
SERIES 900MM		
Model	TIF-S90F400-AL	TIF-S90F800-AL
Dimension (mm)	400 x 900 x 850H	800 x 900 x 850H
Power (kW)	1 x 8kW/12kW/15kW	1 x 8kW/12kW/15kW
Tank Capacity (L)	15L	30L
No. of VAT	1 big Vat or 2 small Vats	2 big Vats

SPECIFICATIONS

Induction Fryer



Voltage	380V/50Hz,3P	380V/50Hz,3P
---------	--------------	--------------



TECHNICAL DRAWINGS



m: +65-9038-0875
 e: sales@trutek.sg
 w: www.trutek.sg

TRUTEK PTE. LTD
 470 North Bridge Road, #5-12 Bugis Cube,
 Singapore (188735)