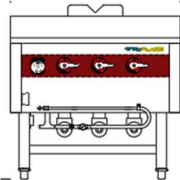
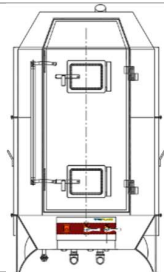


## GAS PIG ROASTER

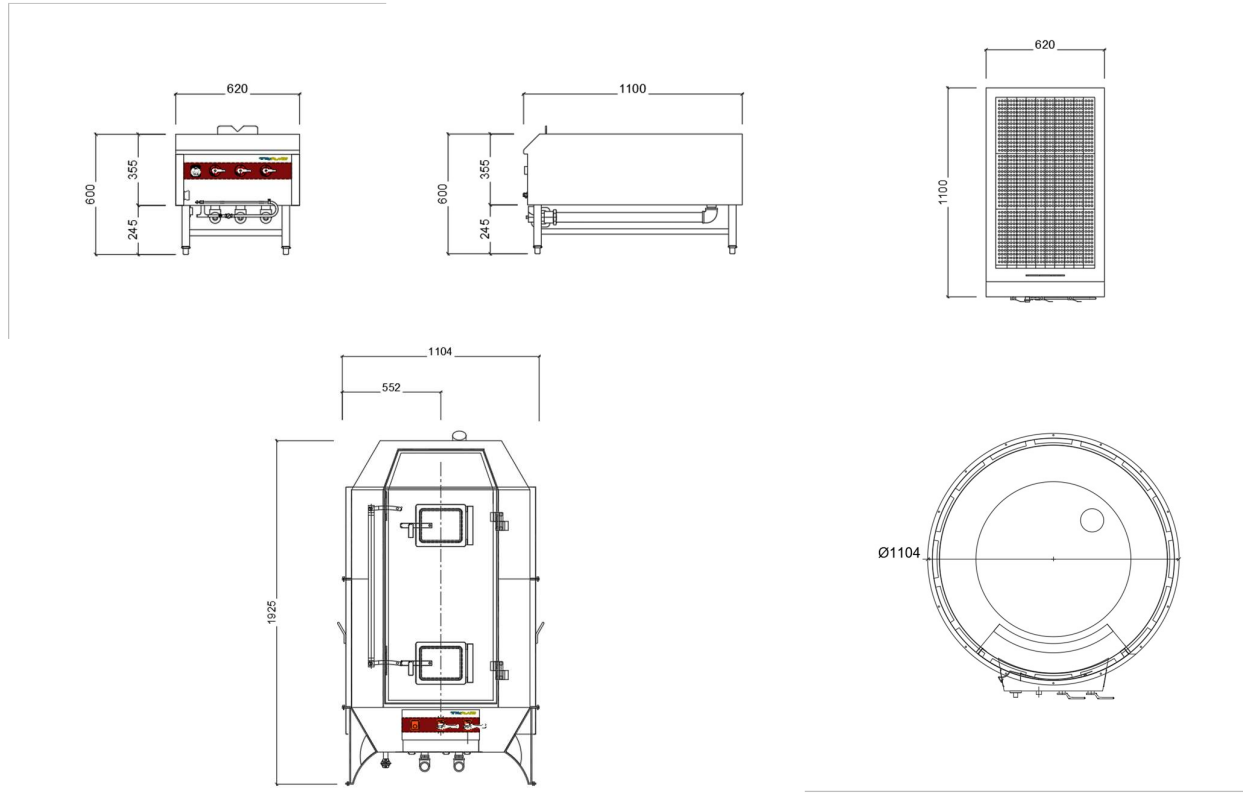
- 3 bar-type burners, independently control power supply.
- The double-layered exterior body improves heat-insulation.
- Stainless steel with the heat-resistant reflective board, strong and durable, energy-saving, provides even heat distribution and retention during cooking.
- Equipped with a safety valve to prevent gas leaks.
- High-quality everlasting pilot, ion sensor flame failure device, long service life.
- Electronic ignition connected with safety valve, easy to operate.



CONSTRUCTION & FEATURES

PIG ROASTER		
Model	TFA-PR900	TFA-PR1100
Dimension (mm)	620 x 1100 x 600H	Ø1100 X 1925H
Heat Load (kW)	56 kW	28 kW
Gas Connection	3 Bar/ DN 25	0.3 Bar/ DN 20
Voltage	N/A	220V/50Hz, 1P

SPECIFICATIONS



TECHNICAL DRAWINGS