

UNDER COUNTER CYLINDRICAL ICE MACHINES

- Stainless steel and food grade ABS body construction for durability and anti-corrosion.
- Storage bin Interior with radius corners for hygiene and ease of cleaning.
- Precision injection with high density polyurethane insulation. Provides excellent thermal efficiency with low GWP and zero ODP.
- Tropicalised condensing unit. Guaranteed operation up to +43°C ambient.
- Fast cooling technology with efficient cooled system to increase 15% higher capacity than other similar machines.
- Slide-in air filter for easy cleaning.
- Advanced noise reduction technology reduces more than 15% vs similar machines.
- HACCP compliant automatic smart electronic control panel for excellent performance.



CONSTRUCTION & FEATURES

UNDER COUNTER SERIES



Model:	UCY-30	UCY-35
Ice Making Capacity:	30kg/24h	35kg/24h
Ice Storage:	15kg	20kg
Ice Type	Ice Cylindrical	Ice Cylindrical
Ice Size	Ø25 x 30mm	Ø45 x 55mm
Power Consumption (W)	450W	500W
Refrigerant	R404a	R404a
Voltage	220V/1Ph/50Hz	220V/1Ph/50Hz
Water Inlet	Ø26	Ø26
Condensate Drainage	Ø26	Ø26
Dimension (mm)	400 x 620 x 730mmH	500 x 620 x 730mmH

SPECIFICATIONS

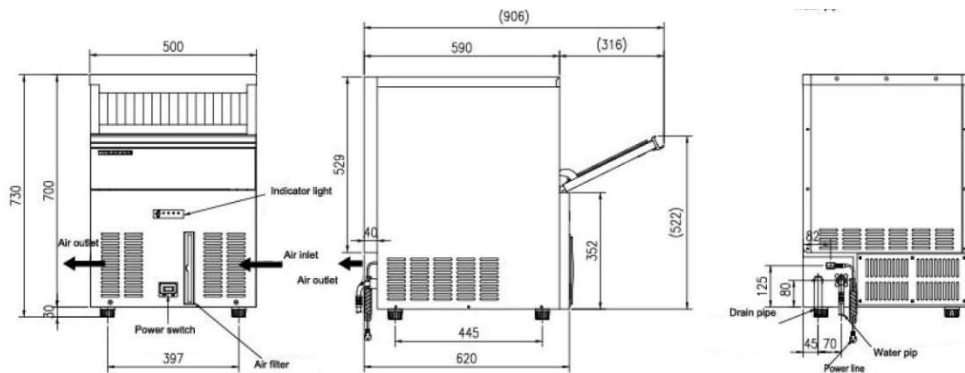
TRUTEC PTE. LTD

470 North Bridge Road, #5-12 Bugis Cube, Singapore (188735)
m: +65-8347-0768 - e: sales@trutec.sg - w: www.trutec.sg



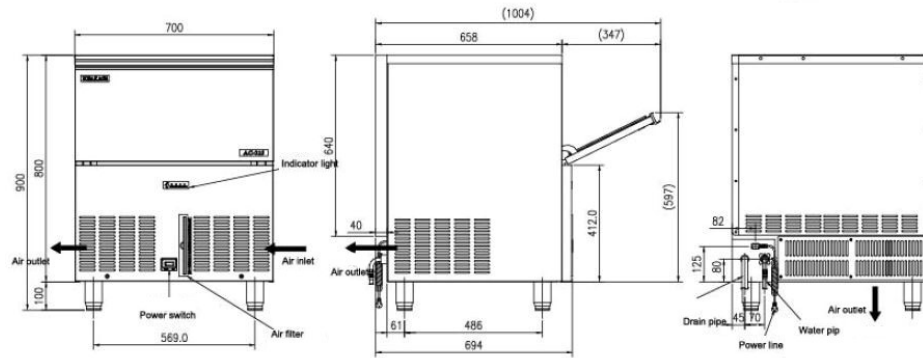
SPECIFICATIONS

Model:	UCY-45	UCY-90
Ice Making Capacity:	45kg/24h	90kg/24h
Ice Storage:	20kg	40kg
Ice Type	Ice Cylindrical	Ice Cylindrical
Ice Size	25 x 30 x 30mm	25 x 30 x 30mm
Power Consumption (W)	600W	780W
Refrigerant	R404a	R404a
Voltage	220V/1Ph/50Hz	220V/1Ph/50Hz
Water Inlet	Ø26	Ø26
Condensate Drainage	Ø26	Ø26
Dimension (mm)	500 x 620 x 730mmH	700 x 700 x 900mmH



TRUTEC PTE. LTD

470 North Bridge Road, #5-12 Bugis Cube, Singapore (188735)
 m: +65-8347-0768 - e: sales@trutec.sg - w: www.trutec.sg



TECHNICAL DRAWINGS

TRUPEC PTE. LTD

470 North Bridge Road, #5-12 Bugis Cube, Singapore (188735)
 m: +65-8347-0768 - e: sales@trutec.sg - w: www.trutec.sg