

## TRUCHILL – UNDER COUNTER FLAKE ICE MACHINES

- Stainless steel and food grade ABS body construction for durability and anti-corrosion.
- Storage bin Interior with radius corners for hygiene and ease of cleaning.
- Precision injection with high density polyurethane insulation. Provides excellent thermal efficiency with low GWP and zero ODP.
- Tropicalised condensing unit. Guaranteed operation up to +43°C ambient.
- Fast cooling technology with efficient cooled system to increase 15% higher capacity than other similar machines.
- Slide-in air filter for easy cleaning.
- Advanced noise reduction technology reduces more than 15% vs similar machines.
- HACCP compliant automatic smart electronic control panel for excellent performance.



CONSTRUCTION & FEATURES

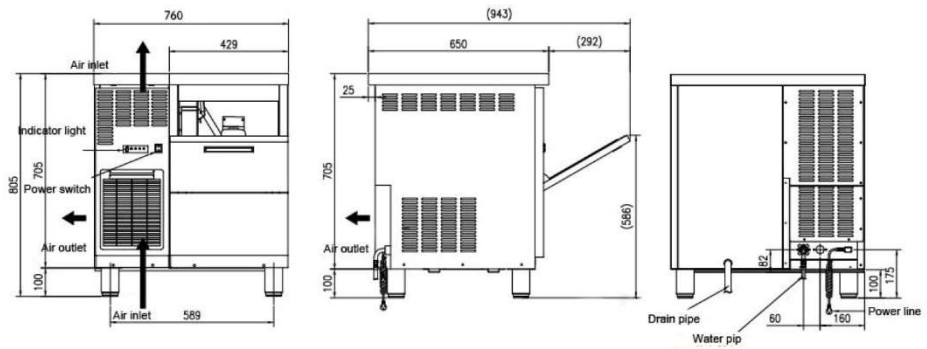
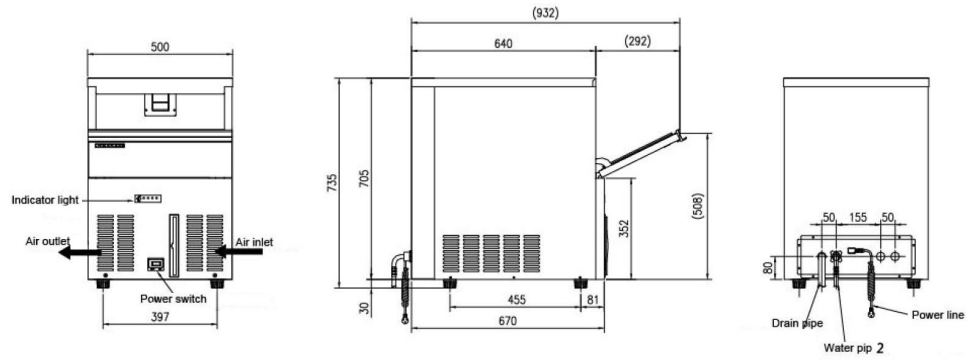
### UNDER COUNTER SERIES

		
Model:	UF80	UF135
Ice Making Capacity:	80kg/24h	135kg/24h
Ice Storage:	25kg	50kg
Ice Type	Ice Flake	Ice Flake
Ice Size	5 x 8mm	5 x 8mm
Power Consumption (W)	420W	700W
Refrigerant	R404a	R404a
Voltage	220V/1Ph/50Hz	220V/1Ph/50Hz
Dimension (mm)	500 x 670 x 735mmH	760 x 700 x 805mmH

SPECIFICATIONS

### TRUTEC PTE. LTD

470 North Bridge Road, #5-12 Bugis Cube, Singapore (188735)  
 m: +65-8347-0768 - e: [sales@trutec.sg](mailto:sales@trutec.sg) - w: [www.trutec.sg](http://www.trutec.sg)



**TRUPEC PTE. LTD**

470 North Bridge Road, #5-12 Bugis Cube, Singapore (188735)  
 m: +65-8347-0768 - e: [sales@trutech.sg](mailto:sales@trutech.sg) - w: [www.trutech.sg](http://www.trutech.sg)